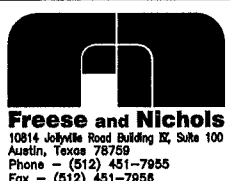
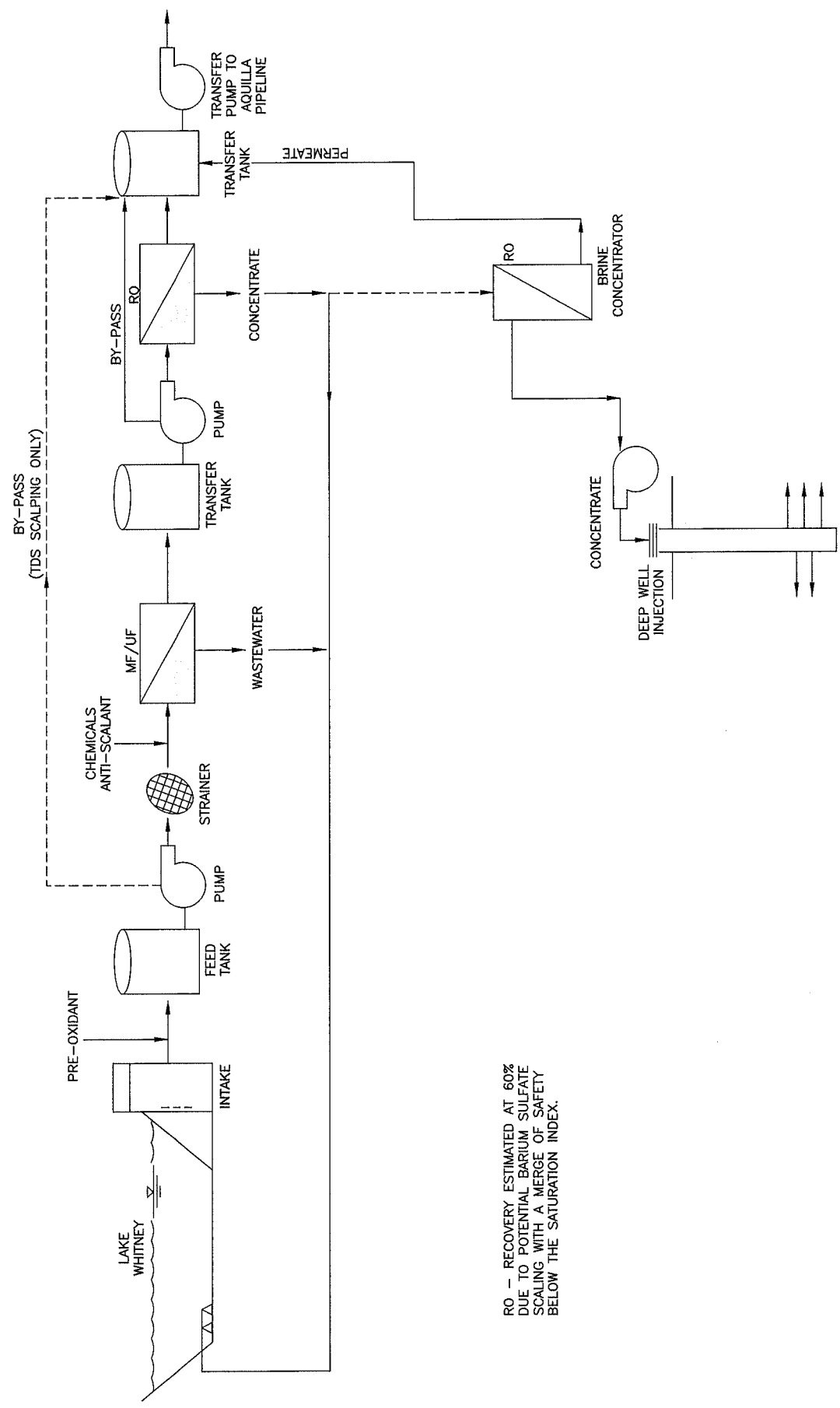


ACAD: Rel 17.0s (LMS Tech) User: gal
 [C:\E06276\LAUSTIN\IN\WR\REPORT\CV-CLE-PL-ADVANCED.DWG LAYOUT: Layout1
 APR 24, 2008 2:27:30 P.M. LITS: 1.00 PSLITS: 1



CITY OF CLEBURNE, TEXAS

LAKE WHITNEY ADVANCED TREATMENT OPTIONS
 PROCESS SCHEMATIC



RO - RECOVERY ESTIMATED AT 60%
 DUE TO POTENTIAL BARIUM SULFATE
 SCALING WITH A MARGE OF SAFETY
 BELOW THE SATURATION INDEX.

FIGURE

2